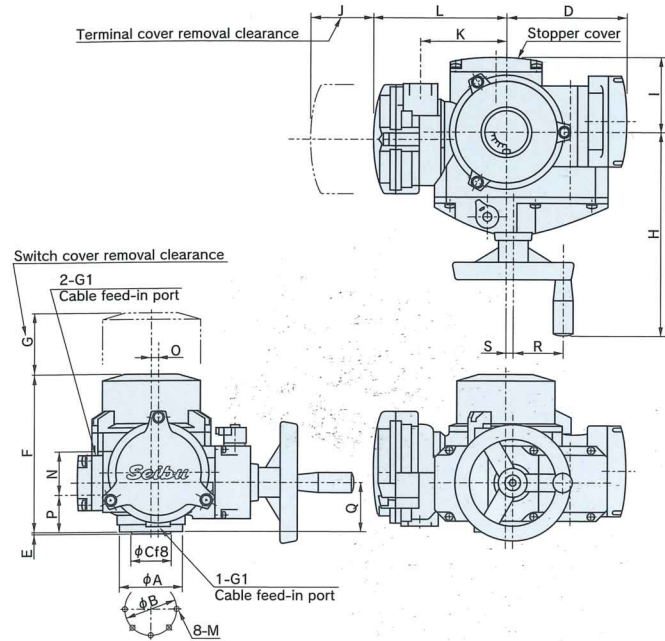
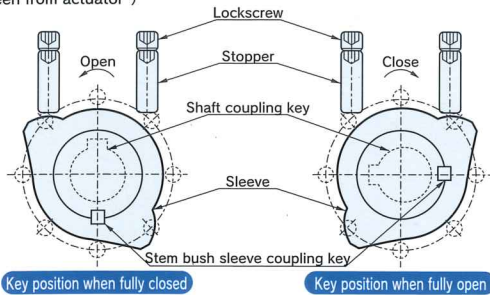


External dimensions



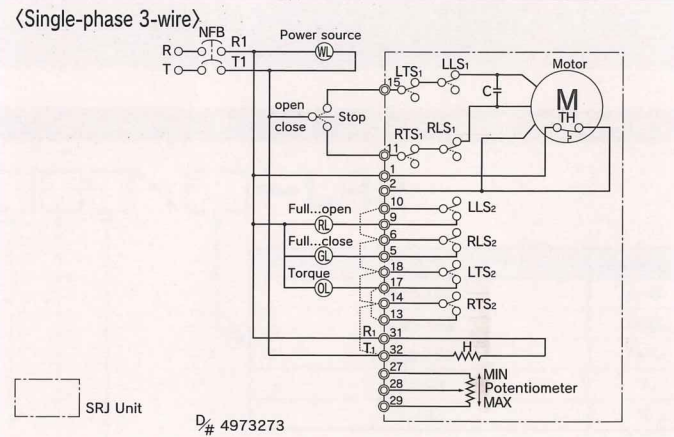
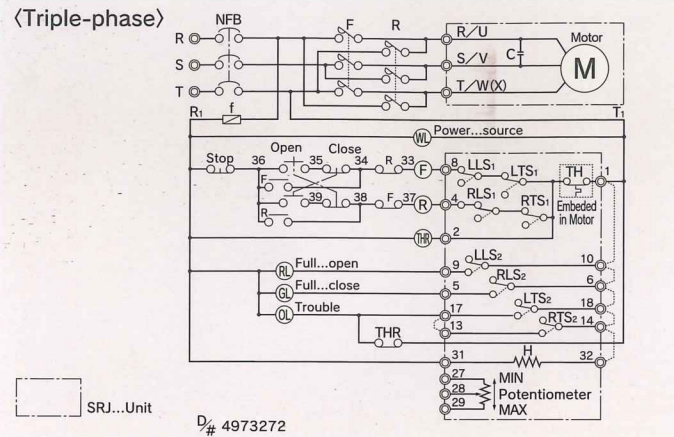
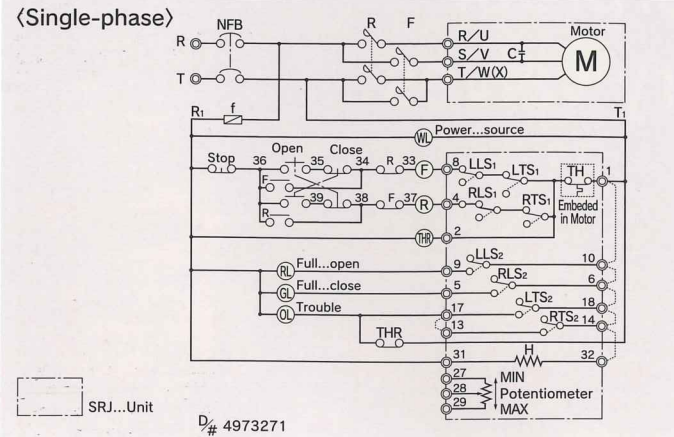
■ Sleeve key position

Fabricate the valve shaft coupling key in accordance with the diagram below (valve seen from actuator)



Type	SRJ-010	SRJ-020	SRJ-060	SRJ-1	SRJ-2
A	90	125		175	
B	70	102		140	
C	55	70		100	
D	167	191		267	
E	3	3		4	
F	218	235		296	
G	85	85		85	
H	281	325		363	
I	104	130		191	
J	100	100		100	
K	121	136		174	
L	186	202		240	
M	M8	M10		M16	
N	56	60		60	
O	10	0		0	
P	64	60		111	
Q	68	65		141	
R	70	110		110	
S	10	8		70	

Wiring diagrams (reference)



■ Rotation type — Direction of rotation as viewed from actuator.

Direction of rotation	Single-phase	Triple-phase
CW (right)	R-(U), T-(X)	R-(W), S-(V), T-(U)
CCW (left)	R-(V), T-(X)	R-(U), S-(V), T-(W)

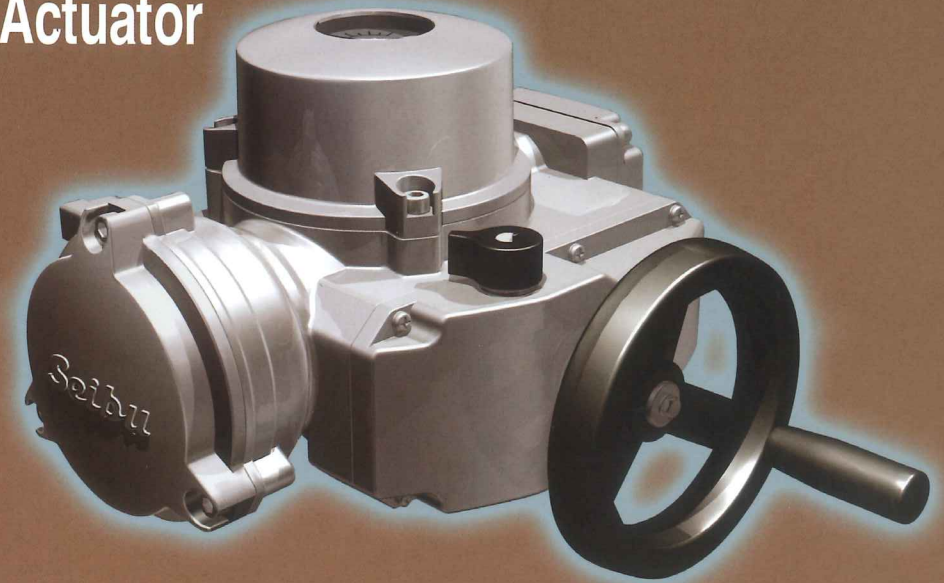
■ Abbreviations used

RLS1,2	Right Limit Switch	RTS1,2	Right Torque Switch	M	Motor
LLS1,2	Left Limit Switch	LTS1,2	Left Torque Switch	C	Condenser
H	Space Heater	TH	Thermal protector	POT	Potentiometer

Seibu

Miniature Motorized Actuator

SRJ



For small 90° rotation rotary valves

Completely waterproof

Lightweight, sturdy

Rich range of options

SEIBU ELECTRIC & MACHINERY CO., LTD. Industrial Machine Division Tel (092)941-1507 Fax (092)941-1517

Head office & Factory ☎811-3193 3-3-1 Eki-higashi, Koga, Fukuoka Tel (092)943-7071 Fax (092)941-1511

Head office Sales office ☎811-3193 3-3-1 Eki-higashi, Koga, Fukuoka Tel (092)941-1530 Fax (092)941-1522

Tokyo Branch ☎136-0071 Tachibana Kameido Bldg 3F, 2-26-11 Kameido, Koto-ku, Tokyo ... Tel (03)5628-0015 Fax (03)5628-0023

Osaka Branch ☎530-0001 Mainichi Shimbun Bldg 5F, 3-4-5 Umeda, Kita-ku, Osaka Tel (06)4796-6711 Fax (06)4796-6707

Nagoya Sales Office ☎468-0015 2-3101 Hara, Tenpaku-ku, Nagoya Tel (052)800-5051 Fax (052)800-5030

Hiroshima Sales Office ☎730-0013 1-17 Hatchobori, Naka-ku, Hiroshima Tel (082)502-1651 Fax (082)502-1653

Sapporo Sales Office ☎060-0033 Kita Sanjo Higashi 8-chome, Chuo-ku, Sapporo Tel (011)221-0521 Fax (011)221-3392

Tokyo Service Center ☎272-0014 1-13-2 Tajiri, Ichikawa, Chiba Tel (047)378-7261 Fax (047)378-7266

Osaka Service Center ☎567-0803 1-17 Soujijimachi, Ibaragi, Osaka Tel (072)630-5850 Fax (072)630-5852

Homepage address <http://www.seibudenki.co.jp>

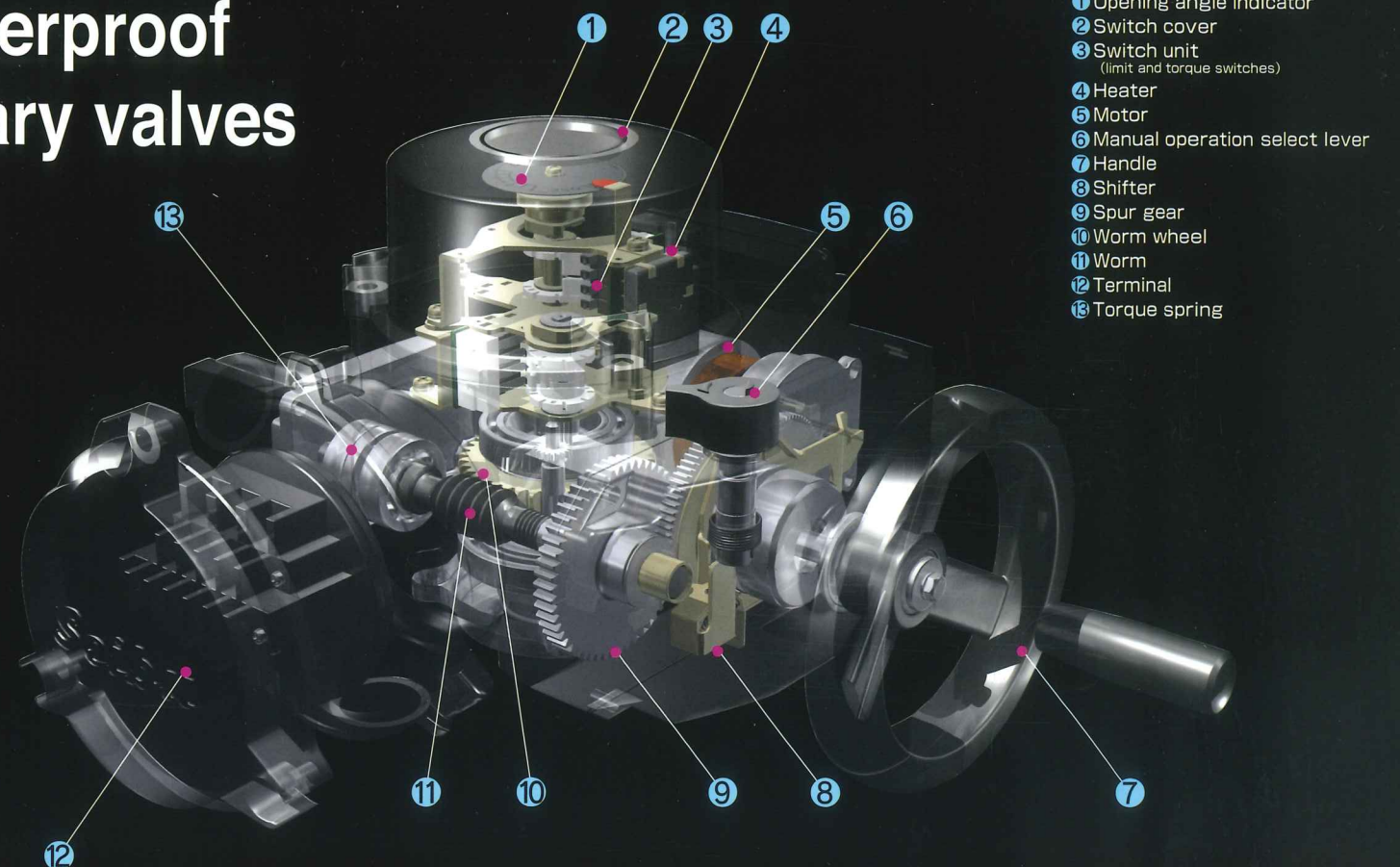
ISO 9001

No.10021-0(11.12.05G)

SEIBU ELECTRIC & MACHINERY CO., LTD.

Lightweight, easy-to-handle, and completely waterproof Miniature motorized actuator for 90° rotation rotary valves

- Can be submersed IP68
 - Uses special gaskets and O-rings, with double-sealed terminals
- Case and covers of lightweight, high-rigidity aluminum alloy
- Open/close torque and limit switches belong
 - Limit switch Open/close both 1a1b
 - Torque switch Open/close both 1a1b
- Combines worm and spur gears for high speed reduction ratio
- Pressure-resistant, explosion-proof configuration available Exd II BT4 (complies with IEC standard)
- Simplified external wiring
 - 32 terminal contacts, 3-G1 cable feed-in port
- ISO flanges
- Open/close both stopper included
- With handle, automatic recovery select lever
- Rich range of options
 - Auxiliary contact (limit switch)
 - Opening angle transmitter
 - R/I converter
 - Proportional controller



- ① Opening angle indicator
- ② Switch cover
- ③ Switch unit (limit and torque switches)
- ④ Heater
- ⑤ Motor
- ⑥ Manual operation select lever
- ⑦ Handle
- ⑧ Shifter
- ⑨ Spur gear
- ⑩ Worm wheel
- ⑪ Worm
- ⑫ Terminal
- ⑬ Torque spring

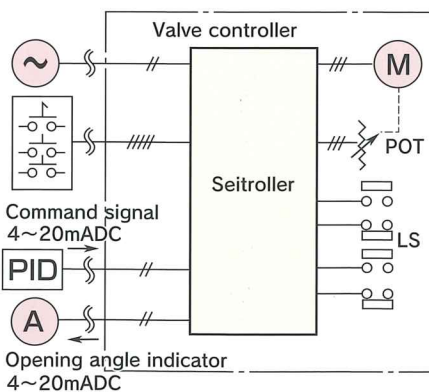
Standard specifications						
Model	SRJ-010	SRJ-020	SRJ-060	SRJ-1	SRJ-2	
Max. output torque (Nm)	125	250	600	1000	2000	
Open/close time (sec/90°) 50/60Hz	9/7.5 18/15	18/15 36/30	18/15 36/30	18/15 36/30	36/30 72/60	
Max. shaft dia (mm)	28	28	42	60	60	
Motor	Output (W)	40	40	100	200	200
	Supply voltage (V)	Single-phase 100/110, 200/220 Triple-phase 200/220, 400/440				
	Insulate	classB				
	Brake	With permanent brake				
	Thermal protector	Motor internal				
Position limit switch	Microswitch RLS(1a1b), LLS(1a1b)					
Torque switch	Microswitch RTS(1a1b), LTS(1a1b)					
Manual operation	Automatic recovery, with handle					
Usage environment	Impact 1G max., vibration 30G max. (optional components 0.5G max.)					
Design life	10,000 open/close cycles under valve load					
Terminal contacts	Motor (M4-3P), control (M4-32P)					
Lead feed-in port	3-G1					
Pressure-resistant, explosion-proofing	Exd II BT4 (option)					
Paint color	Standard (body is gray and covers are yellow)					
Ambient temperature	-10~50°C					
Space heater	Included (PTC thermistor)					
Protective structure	IP68					
Mass (kg)	13	13	18	40	40	

Electronic controller

● **Seitroller**
Inputs the continuous DC signal from the adjuster or other system, compares it to valve angle (feedback potentiometer), and implements proportional control of valve. (Includes Seitmitter functions.) Single-phase supply only.

● **Seimitter**
Converts the valve opening angle signal (change in potentiometer resistance) to a continuous DC signal (4 to 20 mA DC), enabling remote monitoring of opening angle.

Example of Seitroller usage



Type and specification codes

SRJ-□/□□□□ - □□□□□□

Type code	Type
010	SRJ-010
020	SRJ-020
060	SRJ-060
1	SRJ-1
2	SRJ-2

Output code	Output shaft rotation direction	Remarks
R	Right close	Valve as seen from SRJ
L	Left close	

Specification code	Power supply
1	Single-phase 100/110V
2	Single-phase 200/220V
3	Triple-phase 200/220V
4	Triple-phase 400/440V

Specification code	Type	Action time sec/90° 50/60Hz
1	-010	9/7.5
2	-010~-1	18/15
3	-020~-2	36/30
4	-2	72/60

Specification code	Internal wiring	Applicable supply
A	4985872 standard	Single-phase, 100 or 200 V class Triple-phase, 200 or 400 V class
B	4985874 3-wire	Single-phase, 100 or 200 V class
C	4985873 all terminals	Single-phase, 100 or 200 V class Triple-phase, 200 or 400 V class

Specification code	Option specifications
1	Opening angle receiver DVF-11 (4~20mADC)

Specification code	Special specifications
T	Pressure-resistant, explosion-proof structure Exd II BT4

Specification code	Optional control specifications
0	None
1	Seimitter R/I converter
3	Intermediate opening switch
4	Intermediate opening Seimitter
5	Seitroller

Specification code	Potentiometer (Ω)
0	None
1	135
2	200
3	500
4	1000

Specification code	Operation circuit voltage
1	100/110V
2	200/220V

<Example of order specification> (Refer to type/spec codes to right)

SRJ- 010 R 2 1 A - 1 3 1

Type 010
Right closing
Supply single-phase 200V
Action time 9/7.5 sec.

With seimitter
Potentiometer 500Ω
Operation circuit voltage 100V
Standard wiring